



SOFTKEY LED Series SK050

Videssence™

SYSTEM

50 watt LED units for Video/Tele Conferencing multi use spaces and distance learning. The recessed mount 14" x 14" housing shrouds an adjustable fixture that provides controlled aiming for key, or fill lighting. The adjustable fixture is tension held and rotates 359° and tilts 130°. A variety of beam angles and intensity may be achieved by adjusting a manual slide bar on the fixture. cCSAus Certified for USA and Canada. CE in process.

SPECIFICATION

Housing: Constructed of 20 gauge CRS coated with black with an extruded trim in white. Both are TGIC polyester powder coat finish.

LED: (1) 50 watt LED chip provides a concentrated ultra bright beam with even coverage of 3200K light (5600K optional). 96+ CRI.

Electrical: Unit input is 120 thru 230 volts 50/60 Hz and is hardwired.

Mounting: Unit may be ordered recessed for T-Bar or Gypsum ceiling installations.

Fixture Includes:

- (1) LED
- (1) Dimming Driver of your choice.
- (1) Gel Frame

LED OPTICS

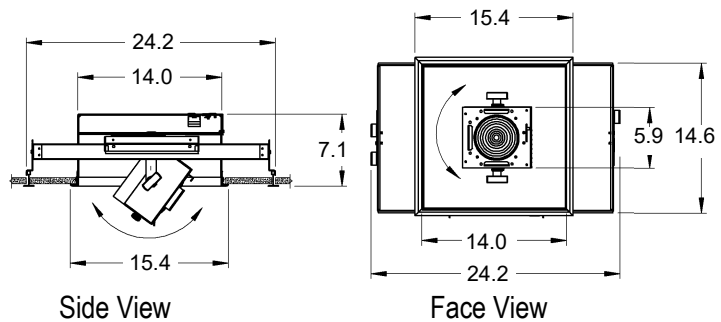
(1) 50 watt Chip at 3200K (5600K optional)
50,000 Hours Life CRI: 96+

OPTIONS (Must Specify Each)

Driver 120/277 0-10 volt, Osram OT Dim (Standard) **-DA**
120/277 0-10 volt, Osram OT Dim **-DMX**
120/277 3-wire/Digital, Lutron EcoSystem L3D **-D3**
120 2-wire, Lutron LTE, Phase Control **-D/PM**

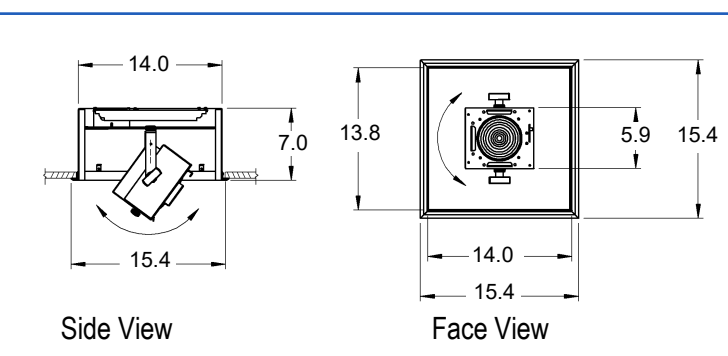
Mounting T-Bar
Gypsum/Hard Ceiling

LEDs 3200K (Standard)
5600K



MODEL # for Recessed T-Bar Ceiling

SK050-TB-DA-120-277v	0-10 Volt Dim-120-277v
SK050-TB-DMX-120-277v	DMX 512-120-277v
SK050-TB-D3-120-277v	120/277 3-wire/Digital, Lutron EcoSystem L3D -D3
SK050-TB-D/PM-120	120 2-wire, Lutron LTE, Phase Control -D/PM



MODEL # for Recessed Gypsum Ceiling

SK050-R-DA-120-277v	0-10 Volt Dim-120-277v
SK050-R-DMX-120-277v	DMX 512-120-277v
SK050-R-D3-120-277v	120/277 3-wire/Digital, Lutron EcoSystem L3D -D3
SK050-R-D/PM-120v	120 2-wire, Lutron LTE, Phase Control -D/PM

Measurements shown are inches (B.S.U.) Ref: 1" = 2.54cm