



SOFTKEY Series SK110-255BX45/90

SYSTEM

110 watt compact fluorescent unit for Video/Tele Conferencing multi use spaces. The recessed housing shrouds an adjustable fixture that tilts 90° for aiming for key, or fill lighting. The T-Bar version may be mounted parallel to the "T" or at a 45° angle with provided accessories. A variety of beam angles and intensity may be achieved by utilizing accessory options.

UL/CUL/CE Listed.

SPECIFICATION

Housing: Constructed of 20 gauge CRS coated with white TGIC polyester powder coat finish.

Reflector: Formed .020 high purity aluminum (99.9%) reflector material with 95% reflectance finish.

Socket: Molded white high strength thermoplastic with push wire connections and 18 gauge leads. Model number 2G11 4-pin.

Electrical: Unit contains (1) 2-lamp ballast to drive two 55 watt lamps for a total of 110 lamp watts per fixture. Power factor shall be >.97 with a class A sound rating and THD of <20%. Unit will be hard wired.

Mounting: Unit may be ordered recessed for T-Bar or Gypsum ceiling installations.

Fixture Includes:

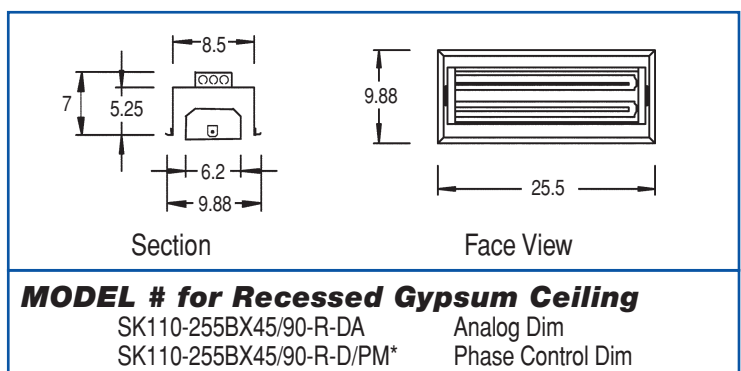
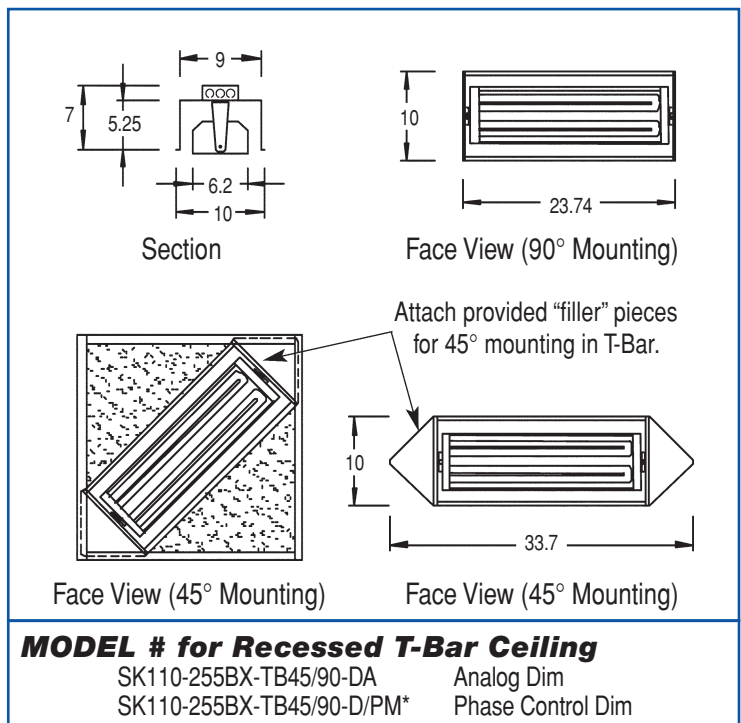
- (2) 55 watt Biax Lamp
- (1) 2-lamp Dimming Ballast (Specify Voltage)
- (1) White Zone Control Screen (Wide)

LAMP (Included)

(2) 55 watt FT55W/2G11/830
3000K, 12,000 Hours Lamp Life
CRI: 82
Light output: 4800 LM/Lamp

OPTIONS (Must Specify Each)

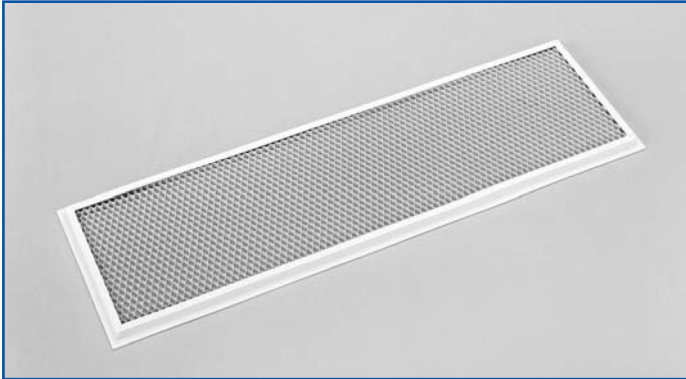
Ballast	120 VAC/60Hz HPF Electronic Dimming 230 VAC/50-60Hz 0-10V HPF Electronic Dimming 277 VAC/60Hz HPF Electronic Dimming
Mounting	T-Bar Gypsum / Hard Ceiling
Lamps	3000K (Included as Standard) 3200K (Additional charge) 5500K (Additional charge)



* Not available in 230 volt.
Measurements shown are inches (B.S.U.) Ref: 1" = 2.54cm

ACCESSORIES

(See detailed description and function in Accessories Section)



PART

- ① ZS-SK110-W-W White Zone Control Screen Wide

PHOTOMETRICS

2-08		DISTANCE				
MODEL SK110-255BX45/90		3ft/.91m	6ft/1.83m	9ft/2.74m	12ft/3.66m	15ft/4.57m
NO ACCESSORIES	FC	298	75	33	19	12
	Lux	320	807	355	205	129
White Wide Zone Screen	FC	331	83	37	21	13
	Lux	356	893	398	226	140

Light level readings were measured in foot-candles (fc) and converted to Lux using the conversion factor of 1 fc = 10.765 Lux. Values shown are light levels on centerline. Reference: Meter used-Minolta T-1 Illuminance meter. Lamps: 3000 Kelvin. Ambient temperature in test studio 75F ± 3F. Distance measurements converted to feet using 1 ft = .305m. Original photometric data on file at the factory. Specifications subject to change without notice or obligation.