



SOFTWASH Series SW055-155BX

SYSTEM

55-watt compact fluorescent wall wash unit for Video/Tele Conferencing multi-use spaces. Provides even, unscaloped lighting of the side and back walls to maintain proper lighting ratios from the room surfaces to the conference participants to ensure an excellent video image. All 230 volt fixtures are RoHS compliant.

UL/CUL/CE Damp Location listed.

SPECIFICATION

Housing: Constructed of 22 gauge CRS coated with white TGIC polyester powder coat finish.

Reflector: One piece, formed reflector is high purity aluminum (99.9%) with 95% reflectance finish.

Socket: Molded white high-strength thermoplastic with push wire connections and 18-gauge leads. Model number 2G11 4-pin.

Electrical: Unit contains (1) 1-lamp, dimming ballast to drive one 55-watt lamps for a total of 55 lamp watts per fixture. Power factor shall be > .97 with a class A sound rating and THD of <20%. Unit will be hard wired.

Mounting: Unit may be ordered recessed for T-Bar or Gypsum ceiling installations. Also available in Surface or Pendant mount.

Fixture includes:

- (1) 55-watt Biax Lamps
- (1) 1-lamp Dimming Ballast (Specify Voltage)

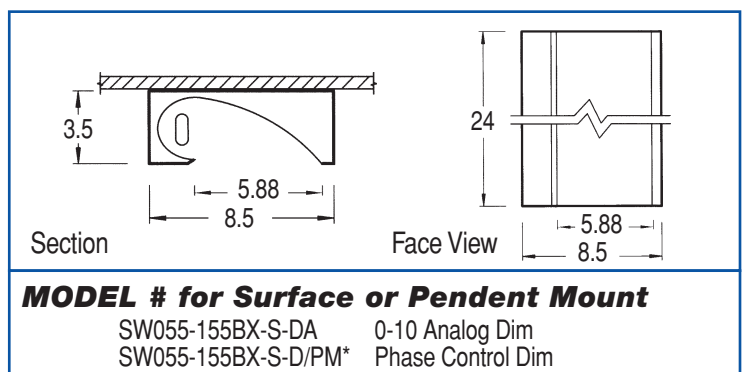
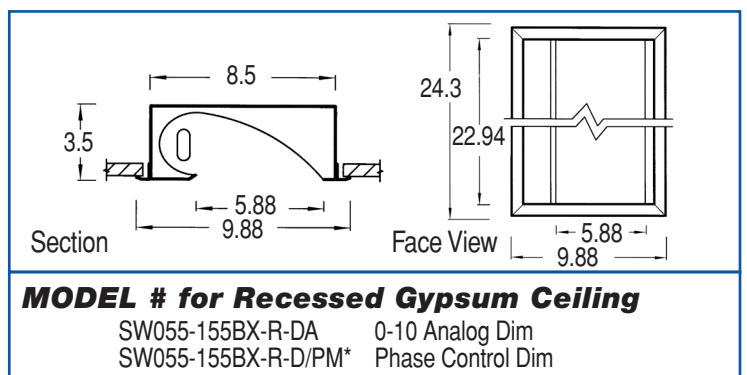
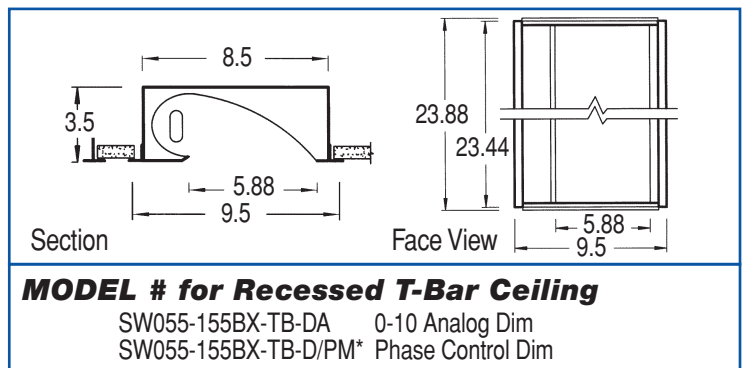
LAMPS

(1) 55-watt FT55W/2G11/830
3000K, 12,000 Hours Lamp Life
CRI: 82
Light output: 4800 LM/Lamp

OPTIONS *(Must Specify Each)*

Ballast	120 VAC/60Hz HPF Electronic Dimming 230 VAC/50-60Hz 0-10V HPF Electronic Dimming 277 VAC/60Hz HPF Electronic Dimming
Mounting	T-Bar Gypsum/Hard Ceiling Surface Pendent (add "P" and length of pendent Example – SW055-155BX-S-P24")

* Not available in 230 volt.
Measurements shown are inches (B.S.U.) Ref: 1" = 2.54cm



ACCESSORIES

(See detailed description and function in Accessories Section)



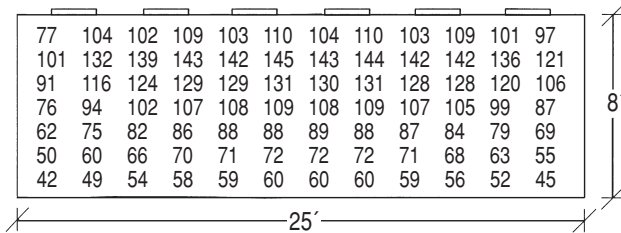
PART #

- ① LV-SW055 Parallel Blade Louver

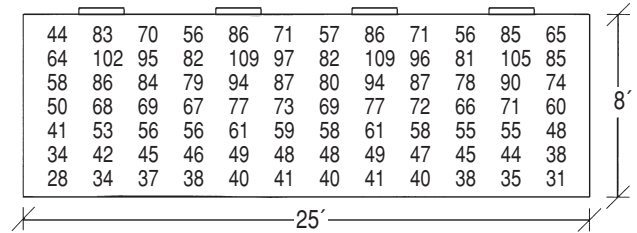
FIXTURE (Boxed)					
WEIGHT	Lbs	Kg	DIMENSIONS	Inches	Cm
Complete	13.0	5.8	Length	29.0	73.7
			Height	7.0	17.8
			Width	12.0	30.5

PHOTOMETRICS MODEL SW055-155BX

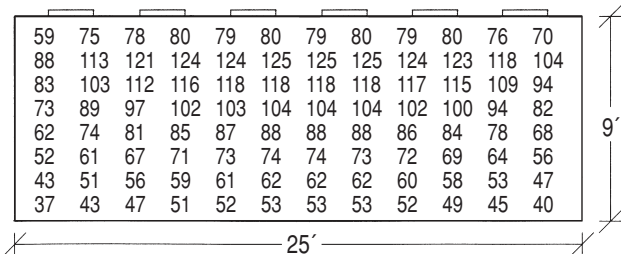
Light readings are shown in footcandles and were calculated with Lighting Analysts' AGI 32, utilizing independent test lab photometric file #4009A1.IES. Readings are initial levels and the reflectances of the room for calculation purposes were Ceiling: .80, Walls: .50 and Floor: .20. To convert levels to Lux, use the conversion factor of 1 fc = 10.765 Lux. Original photometric data on file at the factory. Specifications subject to change without notice or obligation.



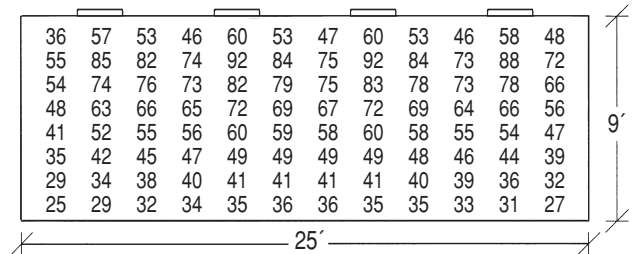
LIGHT LEVELS ON THE WALL
FIXTURES 3' FROM WALL AND 4' ON CENTER



LIGHT LEVELS ON THE WALL
FIXTURES 3' FROM WALL AND 6' ON CENTER



LIGHT LEVELS ON THE WALL
FIXTURES 3-6' FROM WALL AND 4' ON CENTER



LIGHT LEVELS ON THE WALL
FIXTURES 3-6' FROM WALL AND 6' ON CENTER