



UNIVERSAL MOUNT Series UM2x2

SYSTEM

Mounting unit for T-Bar installations. This universal 2' x 2' unit allows easy mounting of studio type fixtures in architectural spaces with T-Bar ceilings. Any manufacturer's studio fixture, under 35 lbs. can mount at the fixture yoke to this unit. Yoke is attached to mounting stud and secured with nuts. Mounting location can adjust side to side and forward and back for precise placement.

SPECIFICATION

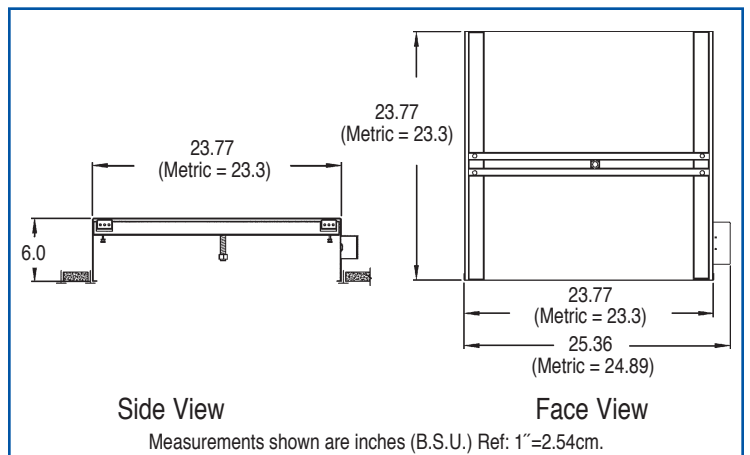
Housing: Constructed of reinforced, 20 gauge CRS then coated with white TGIC polyester coat finish.

Electrical: Standard Edison plug receptacle is provided for 120 volts installations. Adaptors may be used for other plugs. Amps available are 15 for 120 volt and 7.83 for 230 volt.

Mounting: Interior fixture mounting stud adjusts side to side and forward and back for precise fixture placement within the 2 x 2 housing. Maximum weight allowance for fixture (by others) is 35 lbs. T-Bar 2 x 2 housing may also be ordered for metric installations.

Mounting Unit Includes:

- (1) Adjustable Mounting Stud
- (1) 120V Edison Plug to power Fixture
- (2) T-Bar Mounting Brackets



MODEL # for Recessed T-Bar Ceiling

UM2x2	For US T-Bar
UM2x2-Metric	For Metric T-Bar

US #UM2x2

WEIGHT	Lbs	Kg	DIMENSIONS	Inches	Cm
Complete	16.0	7.4	Length	23.77	60.4
			Height	6.0	15.3
			Width	25.36	64.4

US #UM2x2-Metric

WEIGHT	Lbs	Kg	DIMENSIONS	Inches	Cm
Complete	16.0	7.4	Length	23.3	59.2
			Height	6.0	15.3
			Width	24.89	60.9