



# V-BEAM Series V168-442TT

## SYSTEM

168 watt compact fluorescent unit for key lighting, provides even coverage for short throw studio or location lighting applications. Wide range of beam angles achieved through variable configurations of accessory options. All 230 volt fixtures are RoHS compliant.

UL/CUL/CE Listed

## SPECIFICATION

**Housing:** Constructed of .063 formed aluminum then coated with black textured TGIC polyester coat finish.

**Reflector:** Formed .020 high purity aluminum (99.9%) reflector material with 95% reflectance finish.

**Socket:** Molded white high strength thermoplastic with push wire connections and 18 gauge leads. Model number GX24q4 4-pin.

**Electrical:** Unit contains (2) 2-lamp ballasts to drive four 42 watt lamps for a total of 168 lamp watts per fixture. Power factor shall be  $>.97$  with a class A sound rating and THD of  $<20\%$ . Power entry on unit includes on/off switch, fuse holder with fuse (for protection against power surges), spare fuse and IEC connector.

**Mounting:** Provided with .125 welded aluminum yoke. Unit may rotate vertically through the yoke and horizontally through a pipe clamp for ease of focus, and may be locked into place.

### Fixture Includes:

- (4) 42 watt Triple Tube Lamps
- (2) 2-lamp Ballast (Specify Voltage)
- 16' power cord with NEMA5-15 (3) prong plug
- (1) C-Clamp or 5/8" Stand Adapter (Specify One)

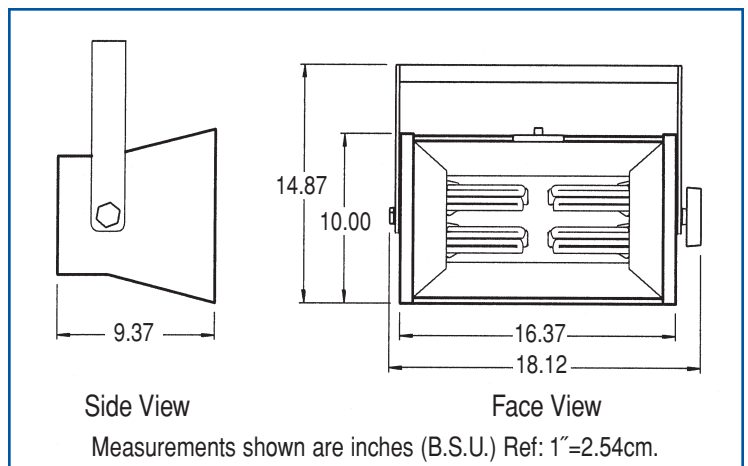
## LAMPS (Included)

(4) 42 watt CFM42W/GX24q/830  
3000K, 10,000 Hours Lamp Life  
CRI: 82  
Light output: 3200 LM/Lamp

## OPTIONS (Must Specify Each)

Ballast 120 VAC/60Hz HPF Electronic  
230 VAC/50-60Hz HPF Electronic

Mounting 2" O.D.C-Clamp  
5/8 Stand Adapter



### MODEL #

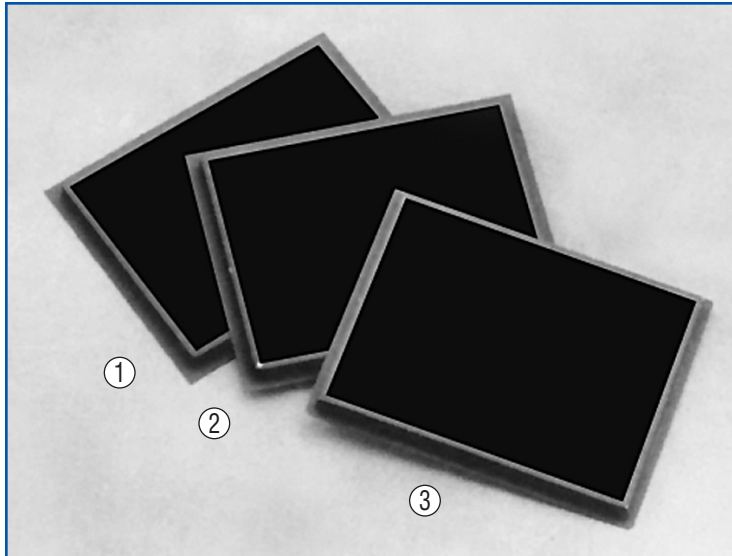
V168-442TT-ND	Non Dim
V168-442TT-D/PM*	Phase Control Dim
V168-442TT-DMX	DMX control within fixture.

\* Not available in 230 Volt

WEIGHT			DIMENSIONS		
	Lbs	Kg		Inches	Cm
Complete	10	4.5	Length	18.12	46.0
			Height	14.87	37.8
			Width	9.37	23.8

## ACCESSORIES

(See detailed description and function in Accessories Section)



**PART #**

- ① ZS-V168-W Zone Control Screen Wide
- ② ZS-V168-M Zone Control Screen Medium
- ③ ZS-V168-N Zone Control Screen Narrow
- ZS-V168-WMN Set of 3 Zone Control Screens

## PHOTOMETRICS

8-03		DISTANCE				
MODEL V168-442TT		3ft/.91m	6ft/1.83m	9ft/2.74m	12ft/3.66m	15ft/4.57m
NO ACCESSORIES	FC	748	187	83	47	30
	Lux	8052	2013	893	506	323

Light level readings were measured in foot-candles (fc) and converted to Lux using the conversion factor of 1 fc = 10.765 Lux. Values shown are light levels on centerline. Reference: Meter used—Minolta T-1 Illuminance meter. Lamps: 3000 Kelvin. Ambient temperature in test studio 75F ±3F. Distance measurements converted to feet using 1ft = .305m. Original photometric data on file at the factory. Specifications subject to change without notice or obligation.