



# VIDFILL Series Softlight VF100

## SYSTEM

Powerful 100 watt, high color rendering LED soft light fixture. The Vidfill provides a large, smooth wash of soft, even, shadow-less light. Light levels compare with many 1000 watt quartz soft lights while using only 110 watts and producing tremendously less heat. Indirect optical design and internal diffusing lens shields the talent from glaring LEDs resulting in comfortable, cool fill lighting for use in television, studio or motion picture sets. They deliver flicker-free dimming without color shift and amazing color rendering at 96+ CRI. Unique passive thermal cooling system assures maximum LED light output and quiet operation while avoiding the noise and failure of internal fans. Control at the back allows easy programming for DMX control and dimming. To ensure the full life of your components, the power is shut off to the driver and LED when dimmed to ZERO with DMX so no external relay or power cut off is required. Additional control achieved with snoot and gel frame options.

cCSAus for USA/Canada and CE Listing in process

## SPECIFICATION

**Housing:** Constructed of .063 formed aluminum then coated with black textured TGIC polyester powder coat finish.

**LED:** (2) 50 watt LED chips provide a broad, smooth, shadowless beam with even coverage of 3200K light (5600K optional). 96+ CRI and 50,000 Hours of Life.

**Electrical:** Unit input is 120 thru 230 volts 50/60 Hz. It draws 110 watts with onboard power supply and integrated dimmer. Silent operation. Power to unit includes powerCON in and out locking connectors and on/off switch. Control for DMX and dimming at the back of fixture.

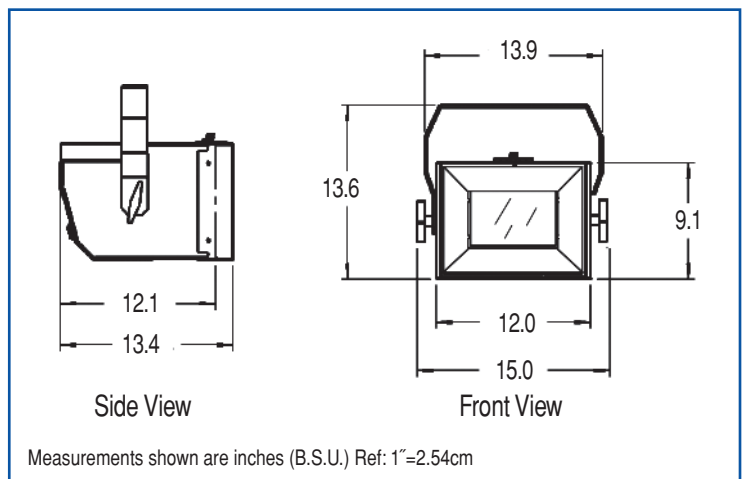
**Mounting:** Provided with .187 aluminum yoke. Unit may rotate vertically through the yoke and horizontally through a pipe clamp for ease of focus, and may be locked into place.

### Fixture Includes:

- (2) LED 50 watt Chips
- 16' power cord with NEMA5-15 (3) prong plug
- (1) C-Clamp or 5/8" Stand Adapter (Specify One)

## OPTIONS (Must Specify Each)

- Driver 120 thru 230 volts, 50-60Hz
- Mounting 2" O.D.C-Clamp
- 5/8" Stand Adapter
- LEDs 3200K (Standard)
- 5600K



### MODEL #

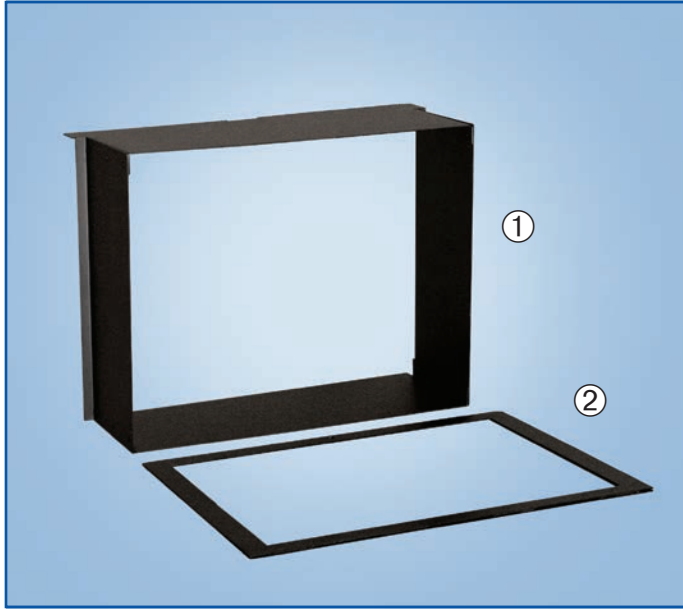
VF100-32K-OB/DMX  
VF100-56K-OB/DMX

On Board and DMX 120v-230v  
On Board and DMX 120v-230v

WEIGHT	Lbs	Kg	DIMENSIONS		
			Inches	Cm	
Complete	12	5.44	Length	15.0	38.1
			Height	13.6	34.6
			Width	13.4	34.1

## ACCESSORIES

(See detailed description and function in Accessories Section)



### PART #

- ① SN-VF100 Snoot
- ② GF-VF100 Gel Frame

## PHOTOMETRICS\*

01-15		DISTANCE		
MODEL VF100-32K		9ft./2.7m	12ft/3.66m	15ft/4.58m
w/ 10° Spread Lens	FC	95	54	38
	Lux	1023	581	409
**Beam Spread	Feet	7.7'W x 4.8'H	11'W x 5.8'H	14.3'W x 6.2'H
	Meters	2.3W x 1.5H	3.4W x 1.8H	4.4W x 1.9H
WITH SNOOT	FC	95	54	38
	Lux	1023	581	409
**Beam Spread	Feet	6.3'W x 4.7'H	9.5'W x 5.7'H	11.7'W x 6'H
	Meters	1.9W x 1.4H	2.9W x 1.7H	3.6W x 1.8H

\* Light level readings were measured in foot-candles (fc) and converted to Lux using the conversion factor of 1 fc = 10.765 Lux. Values shown are light levels on centerline. Reference: Meter used – Minolta T-1 Illuminance meter. LEDs 3200K. Ambient temperature in test studio 75F ± 3F. Distance measurements converted to feet using 1ft = .305 m. Original photometric data on file at the factory.

\*\* Beam Spread dimensions define the point where light levels are 50% of the center line intensity.